

Yaesu FT-817 Transverter/PA Sequencer

David Smith – VK3HZ

Introduction

The FT-817 is a very versatile rig. However, it does benefit from more output power with an external PA. It also makes a very good IF rig for a microwave transverter.

This document describes a simple circuit based on a PICAXE that can be used to either:

- Control one or two Power Amplifiers on different bands
- Control one or two transverters

Switching between the two external units is as simple as changing bands on the FT-817.

Operation

The FT-817 has two independent antenna outlets – a BNC socket on the front panel and an SO-239 socket at the rear. The rig can be configured to use one or other of these outlets on a per-band basis. So, two Power Amplifiers for different bands, or two Transverters with different IF frequencies (e.g. 2m & 70cm) can be connected simultaneously to the rig.

The ACC socket on the rear panel of the FT-817 provides the signals required to control these external units. The pinout of the socket is shown in Figure 1.

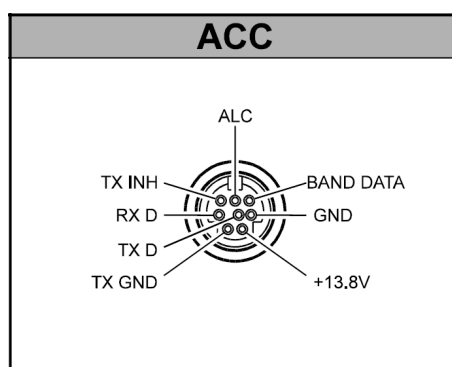


Figure 1 – FT-817 ACC Socket Pinout

The pins of interest are:

- TX GND pulled to ground in Transmit mode (e.g. PTT pressed);
- TX INH prevents any RF output when at a high level (>5V); and
- BAND DATA which is an analog voltage output indicating which band is selected on the rig. A table showing the output voltage for each band is given in Figure 2.

BAND	LEVEL	BAND	LEVEL	BAND	LEVEL	BAND	LEVEL
1.8 MHz	0.33 V	10 MHz	1.33 V	21 MHz	2.33 V	50 MHz	3.33 V
3.5 MHz	0.67 V	14 MHz	1.67 V	24.5 MHz	2.67 V	144 MHz	3.67 V
7 MHz	1.00 V	18 MHz	2.00 V	28 MHz	3.00 V	430 MHz	4.00 V

Figure 2 – BAND DATA Voltage Levels


```

' FT-817 Sequencer
'
' Version 0.1          31 May 2005
'
' Written by David Smith VK3HZ
'
' Purpose:
'   Interfaces an FT-817 to two transverters.
'   Each transverter has a different IF (2m/70cm) and is connected to front or rear antenna port.
'   The PICAXE activates the PTT to the appropriate transverter depending on the FT-817 band.
'   It also sequences PTT by applying Tx_Inhibit for 100mS during switching to stop the FT-817
'   from transmitting until all transverter switching has completed.
'
' Version History:
'   0.1      31/05/05 First attempt

```

HARDWARE CONNECTIONS

+5V	Vcc	U	Gnd	0V
Programming	Serin		OP0	FT-817 Tx Inhibit
70cm IF PTT	OP4	PICAXE08M	IP1	FT-817 Band Select (Analog)
FT-817 Tx Gnd	IP3		OP2	2m IF PTT

```

' PICAXE08M I/O pinouts
'
' FUNCTION Application in this project
' PIN0 (pin 7) OUT (Serial out) FT-817 Tx Inhibit
' PIN1 (pin 6) IN (Analog) FT-817 Band Select
' PIN2 (pin 5) OUT 2m IF PTT
' PIN3 (pin 4) IN FT-817 Tx Gnd
' PIN4 (pin 3) OUT 70cm IF PTT
' SERIAL (pin 2) (Serial in) Programming

```

Define constants

```

symbol PTT_Delay = 100 ' Delay between FT-817 Tx Ground and release of Tx Inhibit
symbol Band_2m = 176 ' Minimum ADC reading if 2m band selected
symbol Band_70cm = 190 ' Minimum ADC reading if 70cm band selected

```

Define variables

```

symbol Band_Select = b0 ' FT-817 Band Select ADC reading

```

Initialisation

```

dirs = %00010101 ' Set Pins 0, 2, 4 as Outputs
pins = %00000000 ' Set all outputs low

```

Main Loop

```

' Nothing happens until FT-817 PTT is pressed
wait_tx:
  if pin3 = 1 then wait_tx ' Loop waiting for Tx Gnd signal from FT-817
' Check FT-817 band setting
  readadc 1, Band_Select
  if Band_Select < Band_2m then wait_rx ' Is it 2 or 70? If not, do nothing
  if Band_Select < Band_70cm then process_2m ' Is it 2?
' 70cm
  high 4 ' Activate 70cm PTT
  goto process_tx
' 2m
process_2m:
  high 2 ' Activate 2m PTT
' Hold off FT-817 transmission until switching has settled
process_tx:
  pause PTT_Delay ' Wait a while
  high 0 ' Allow FT-817 to transmit
' Wait until PTT released
wait_rx:
  if pin3 = 0 then wait_rx ' Loop waiting for Tx Gnd signal released by FT-817
  pins = %00000000 ' Set all outputs low again
  goto wait_tx ' Go back and repeat it all again
end

```

Implementation

If this is your first PICAXE project, then I'd recommend getting the PICAXE-08M Starter Pack. This will provide you with the Programming Cable, a Prototype Board on which the sequencer can be built, a PICAXE-08M device and all of the software on CD.

Otherwise, the Programming Software can be downloaded free from:
<http://www.rev-ed.co.uk/picaxe/>

Details for building your own Programming Cable (RS-232 version) can also be found on that site.

The PICAXE-08M is available from a number of suppliers.

Operation

Switch the rig to FM on 2m with PO displayed. Press the PTT. The 2m PA/transverter should immediately switch, but the power output indication on the FT-817 should be delayed very slightly. On 70cm, the result should be the same.

Now switch to 6m and try the same test. This time, neither of the external units should react and there should be no output from the FT-817.

Note that the 13.8V pin on the ACC socket is always live, even when the rig is off. This means that, if the FT-817 is run on batteries, they may be run flat if the sequencer is left connected.

Possible Modifications

The sequencer can be changed to suit different band combinations (e.g. HF / 2m) quite easily by modifying the two lines in the code after the READADC line. Approximate values returned by READADC for each band setting are shown in the table below:

Band	1.8	3.5	7	10	14	18	21	24.5	28	50	144	432
Voltage	0.33	0.67	1.00	1.33	1.67	2.00	2.33	2.67	3.00	3.33	3.67	4.00
READADC	16	32	48	64	80	96	112	128	144	160	176	192